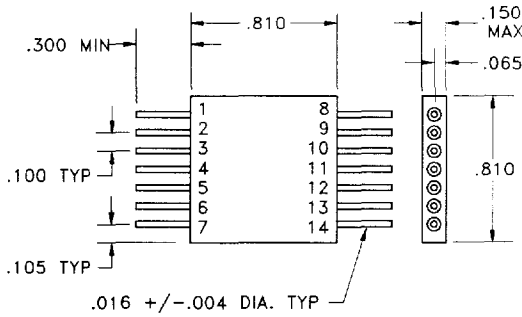
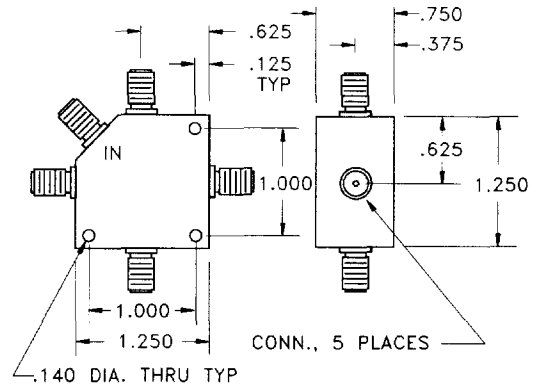


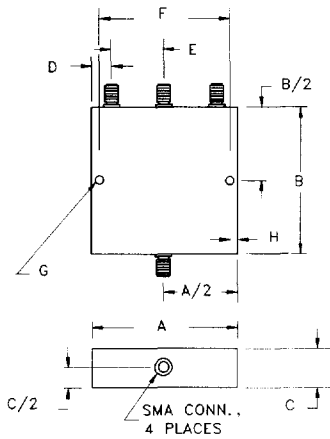
POWER DIVIDERS, 3 & 4 WAY - 0°



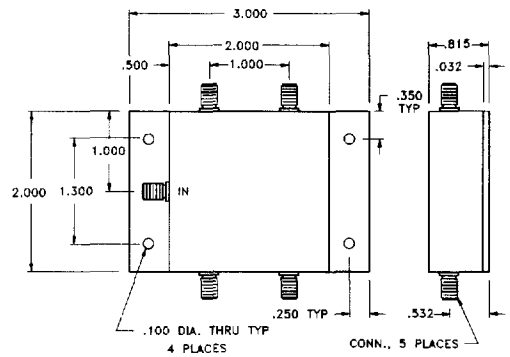
Outline 302



Outline 413

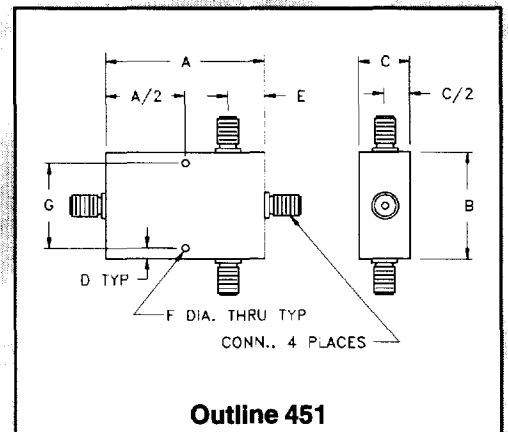


Outline 433/X



Outline 440

OUTLINE	CONN.	A	B	C	D	E	F	G
451/1S	SMA	3.20	1.50	0.51	.125	.59	.125	1.25
451/2S	SMA	2.70	1.50	0.51	.125	.59	.125	1.25
451/3S	SMA	2.20	1.50	0.51	.125	.59	.125	1.25
451/4S	SMA	9.00	1.00	0.40	.150	.36	.125	.700
451/5S	SMA	5.60	1.00	0.40	.150	.36	.125	.700
451/6S	SMA	1.60	1.50	0.51	.125	.59	.125	1.25
451/7S	SMA	2.95	1.00	1.40	.150	.36	.125	.700
451/8S	SMA	1.25	1.50	0.51	.125	.59	.125	1.25
451/9S	SMA	2.00	1.00	0.40	.150	.36	.125	.700
451/10S	SMA	1.60	1.00	0.40	.150	.50	.125	.700
451/1N	N	3.20	1.50	1.00	.125	.59	.125	1.25
451/2N	N	2.70	1.50	1.00	.125	.59	.125	1.25
451/3N	N	2.20	1.50	1.00	.125	.59	.125	1.25
451/4N	N	9.00	1.00	1.00	.150	.37	.125	.700
451/5N	N	5.60	1.00	1.00	.150	.37	.125	.700
451/6N	N	1.60	1.50	1.00	.125	.59	.125	1.25
451/7N	N	2.95	1.00	1.00	.150	.37	.125	.700
451/8N	N	1.25	1.50	1.00	.125	.59	.125	1.25
451/9N	N	2.00	1.00	1.00	.150	.37	.125	.700



Outline 451

POWER DIVIDERS, 4 WAY - 0°

Frequency Range (MHz)	Insertion Loss (dB) max.	Isolation (dB) min.	Amplitude Balance (dB) max.	Phase Balance (Deg) max.	VSWR max.	(1) Input Power (watts) max.	P/N
0.01-60	0.8	20	0.2	2.0	1.30:1	1	P4-01-*
0.3-60	1.0	25	0.2	2.0	1.30:1	1	P4-02-**
0.5-100	1.0	25	0.2	2.0	1.30:1	1	P4-03-**
1-500	1.0	22	0.4	3.0	1.35:1	1	P4-04-**
3-500	1.0	25	0.3	3.0	1.30:1	1	P4-05-**
100-700	1.2	25	0.3	4.0	1.40:1	25	P4-P06-440
10-1000	1.6	23	0.4	5.0	1.40:1	1	P4-07-*
800-1000	1.5	25	0.3	5.0	1.50:1	1	P4-08-*
30-1100	1.5	20	0.3	4.0	1.50:1	25	P4-P09-440
5-1500	1.5	20	0.5	6.0	1.50:1	25	P4-P10-440
20-1500	2.3	20	0.4	6.0	1.50:1	1	P4-10-*
5-2000	2.8	20	0.4	8.0	1.60:1	1	P4-11-413
20-2000	2.6	20	0.4	6.0	1.60:1	1	P4-12-413
1700-2200	1.4	20	0.5	4.0	1.35:1	1	P4-20-E4

- * Available in outline # 102, 413, E
- ** Available in outline # 102, 107, 302, 413, & 439

SMA female connectors standard on outline #413 & 439, refer to page 98 for more information.
75 Ohm or higher power models available upon request, consult factory.

Note: (1) For Load VSWR better than 1.2:1.

Port Configuration

Outline	Input	Outputs	Ground
102	4	1,2,7,8	3,5,6
107	2	4,6,10,12	1,3,5,7-9,11
302	1	4,7,11,14	2,3,5,6,8-10,12,13

